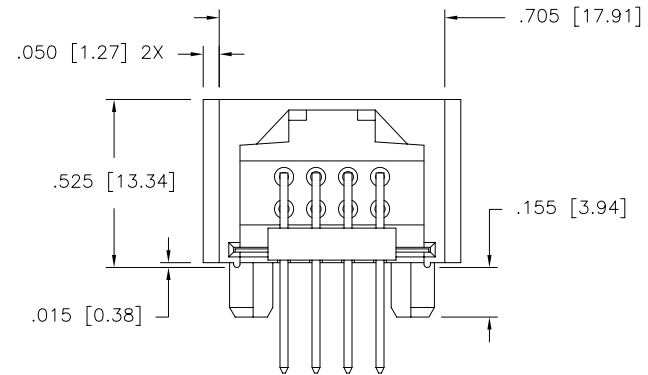
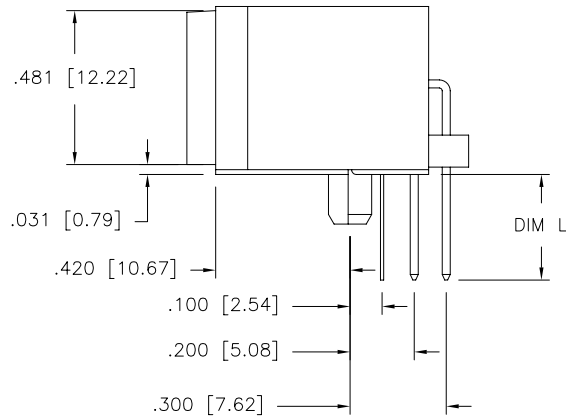
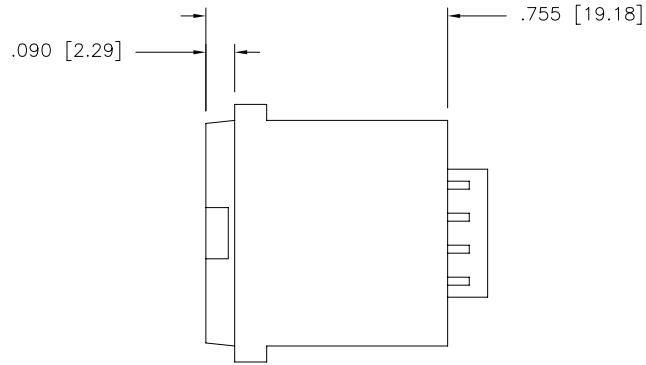


PRODUCT NUMBER
SEE TABLE



mat'l. code				surface ISO 1302 ✓		tolerance ISO 406 ISO 1101		projection FIRST ANGLE		product family LATCH-N-LOK			
ltr	ecn	no	dr	date		tolerances unless otherwise specified		INCH/MM		title 2X4 LNL LOW PROFILE HEADER ASSEMBLY			
F	V01795	TFG	9/12/00			angles	.XX±.01/.3				sheet 1 of 2		
G	V10985	TFG	2/13/01			linear	.XXX±.005/.13				size A3		
H	M05-0033	ERE	2/25/05			0°±2'	.xxxx±.0020/.051		scale 1:1		69958		
J	M05-0052	MHT	3/16/05	dr	M. CLOUSER	12/22/89					type Product Customer Drawing		
K	M05-0285	AGS	7/28/06	engr	D. HORCHLER	12/22/89							
L	M06-0365	AGS	9/20/06	chr	D. HORCHLER	12/22/89							
M	M07-0521	AGS	12/10/07	appd	D. HORCHLER	12/22/89							
sheet	revision	M	M										
index	sheet	1	2										

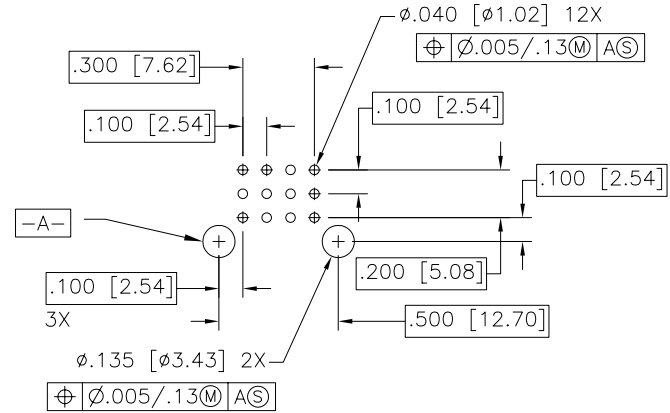
form: A3



Copyright FCI

69958-XXXHLF

LEAD FREE OPTION ⑥⑧	
HIGH TEMPERATURE ⑦	
COLOR ④	
2	80166 OFF WHITE
4	701 BLACK
7	70455 SILVER GRAY
9	70419 PEBBLE GRAY
PLATING ⑨	
0	30u" GXT
3	30u" AU OVER 50u" NI
5	50u" AU OVER 50u" NI
PIN LENGTH	
DIM L	
0	.200/5.08
1	.130/3.30



NOTES:

1. HEADER SHROUD
MAT'L: POLYCARBONATE.
94 V-O RATED
2. GROUND CONTACT
MAT'L: COPPER ALLOY
PLATING: 100-160u"/2.54-4.06u TIN.
3. SIGNAL CONTACT
MAT'L: COPPER ALLOY
PLATING: 30u"/.76u PALLADIUM ALLOY WITH GOLD
- ④ NUMBERS SHOWN ARE FOR G.E. LEXAN AND ARE FOR REFERENCE ONLY.
- ⑤ THIS ASSEMBLY UL APPROVED PER FILE E66906 VOL. 1, SEC. 84 AND CSA APPROVED PER MASTER FILE LR46923
- ⑥ ADD LF SUFFIX AT THE END OF PART NUMBER FOR LEAD FREE OPTION.
7. PART NUMBER WITH SUFFIX "H" BEFORE "LF" WILL WITHSTAND EXPOSURE TO 260°C PEAK TEMPERATURE FOR 15 SECONDS IN A WAVE SOLDER APPLICATION WITH A 1.5mm MINIMUM THICK CIRCUIT BOARD. (ONLY AT BLACK COLOR) SEE APPLICATION NOTES/PROCEDURES IF THEY ARE AVAILABLE.
- ⑧ THIS PRODUCT MEETS EUROPEAN UNION DIRECTIVES AND OTHER COUNTRY REGULATION AS DESCRIBED IN GS-22-008.
- ⑨ PLATING OPTIONS:
MAY BE EITHER GOLD OR GXT PLATED AT MANUFACTURER'S OPTION.

RECOMMENDED PCB LAYOUT

mat'l. code		surface ISO 1302 ✓		tolerance ISO 406 ISO 1101		projection INCH/MM		product family LATCH-N-LOK	
ltr	ecn	no	dr	date		tolerances unless otherwise specified		title	
M						angles	linear	2X4 LNL LOW PROFILE HEADER ASSEMBLY	
						0°±2'	.XX±.01/.3 .XXX±.005/.13 .XXX±.0020/.051	scale 1:1	
						dr	M. CLOUSER	12/22/89	dwg no
						enr	D. HORCHLER	12/22/89	sheet 2 of 2
						chr	D. HORCHLER	12/22/89	size
						appd	D. HORCHLER	12/22/89	A3
sheet index		revision sheet						type Product Customer Drawing	